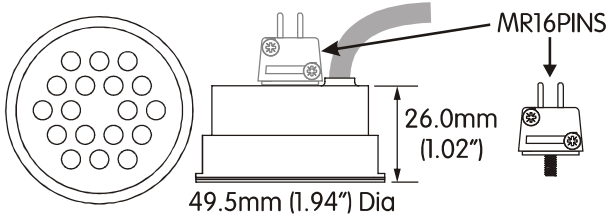


## ChromaMR16Heart™



### ChromaMR16 Specification

A versatile RGB MR16 lamp replacement designed to fit into a wide range of MR16 enclosures. It uses 18x 5mm LEDs chosen for their high efficiency and superior colour mixing / optics.

**Power:** 105mA @ 24V DC. 3.4 Mains Watts via ChromaZone.

**Weight:** 167g inc Cable (0.36lbs).

**IP Rating:** IP20

**Beam Angle:** 20 deg.

**Optics:** Integral light diffusion filter.

**Light Output:** @1m White (RGB100%) 140 Lux, Red 42 Lux, Green 88 Lux, Blue 10 Lux.

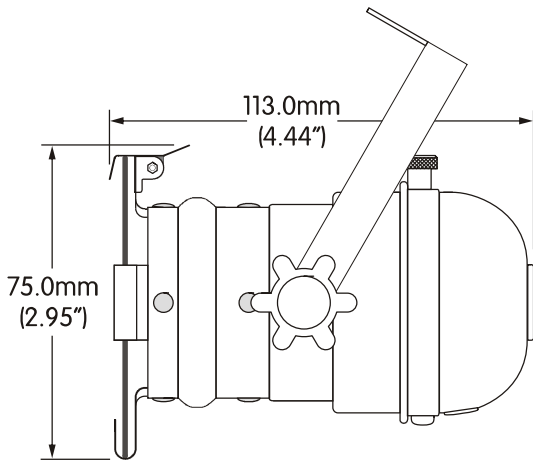
**Fixing Detail:** Designed to fit in MR16 enclosures. The rear of the unit has an M3 threaded hole (8mm deep max) that may be used to mount the unit. An optional fitting (MR16PINS) is available that will enable the MR16 Heart to be plugged into enclosures that use a steel clip and pins for mounting GU5.3 type fittings. The pins will not power the MR16Heart.

**Connection:** 3m (10ft) of ChromaFlexLite terminated by a colour coded In-Line WAGO socket.

**Colours and finishes:** White Painted.

PART NUMBER — DESCRIPTION	
CHMR16	ChromaMR16 Heart™
MR16PINS	ChromaMR16 Connection Pin Assy.™

## ChromaBirdie™



### ChromaBirdie Specification

An RGB MR16 Birdie available in black or silver.

**Power:** 105mA @ 24V DC. 3.4 Mains Watts via ChromaZone.

**Weight:** 400g (0.88lbs).

**IP Rating:** IP20

**Beam Angle:** 20 deg.

**Optics:** Integral light diffusion filter.

**Light Output:** @1m White (RGB100%) 140Lux, Red 42 Lux, Green 88 Lux, Blue 10 Lux.

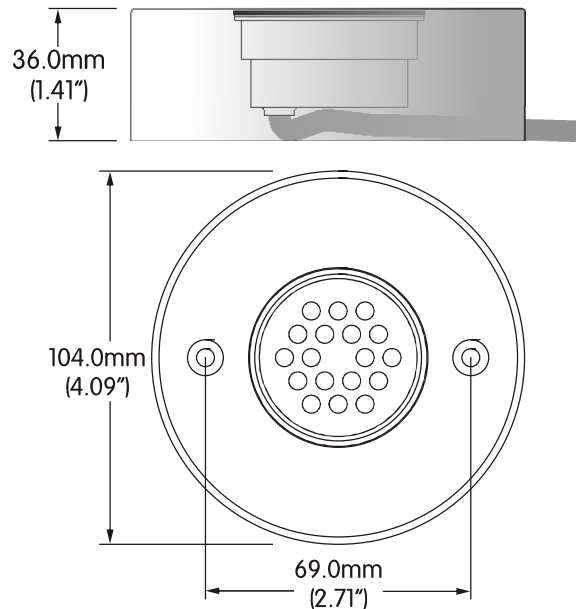
**Fixing Detail:** A 10mm (0.39") Dia. hole on the middle of the handle.

**Connection:** 3m (10ft) of ChromaFlexLite terminated by a colour coded In-Line WAGO socket.

**Colours and finishes:** Black and Silver.

PART NUMBER — DESCRIPTION	
CBIRDIEB	ChromaMR16 Birdie™ Black
CBIRDIES	ChromaMR16 Birdie™ Silver

## ChromaBottleWasher™



### ChromaBottleWasher Specification

An RGB MR16 base for illuminating bottles and other objects d'art.

**Power:** 105mA @ 24V DC. 3.4 Mains Watts via ChromaZone.

**Weight:** 250g (0.55lbs)

**IP Rating:** IP20

**Beam Angle:** 20 deg.

**Optics:** Integral light diffusion filter.

**Light Output:** @1m White (RGB100%) 140Lux, Red 42 Lux, Green 88 Lux, Blue 10 Lux.

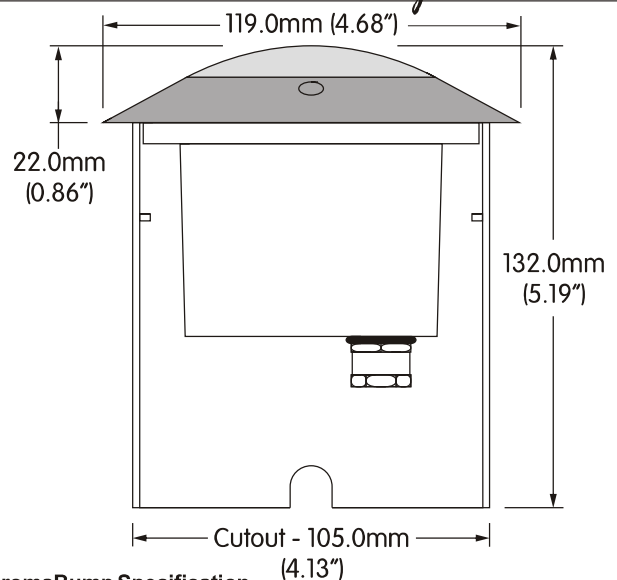
**Fixing Detail:** Two 6mm (0.23") Dia. countersunk holes that enable the unit to be screwed to a surface.

**Connection:** 3m (10ft) of ChromaFlexLite terminated by a colour coded In-Line WAGO socket.

**Colours and finishes:** White Painted.

PART NUMBER — DESCRIPTION	
CBWASH	ChromaBottleWasher™

## ChromaBump™



### ChromaBump Specification

An RGB MR16 wall or floor mounted lamp with a polycarbonate lens and anodised aluminium surround.

**Power:** 105mA @ 24V DC. 3.4 Mains Watts via ChromaZone.

**Weight:** 825g (1.8lbs)

**IP Rating:** IP65 - See: use in wet environments page 4.

**Beam Angle:** 20 deg.